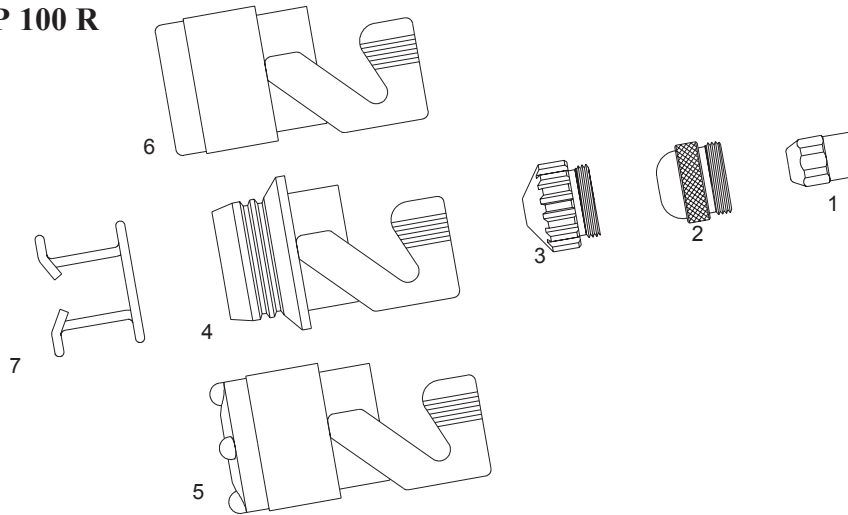


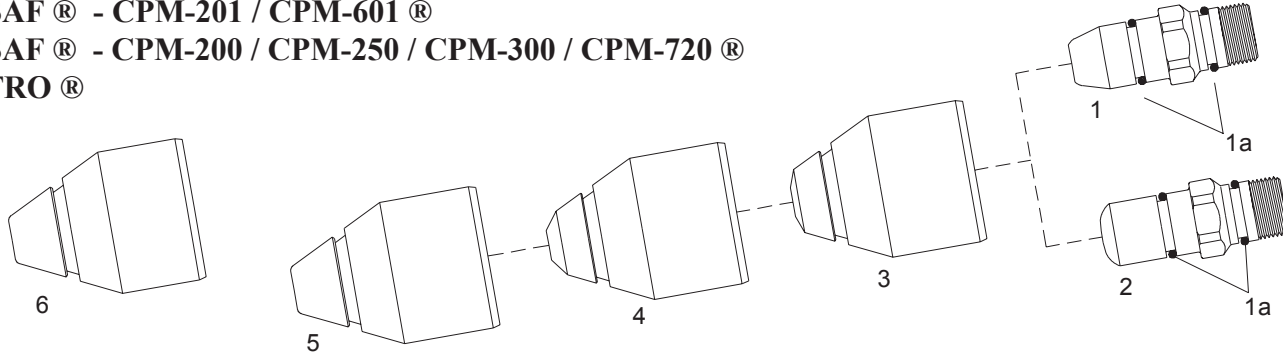
SAF® CP 40 R - CP 100 R
FRO®



Item	Ref.	Code	Description
1	0408-2051	52014	Electrode - Zr.
	0408-2404	52514	Electrode - Hf.
2	0408-2052	51103	Tip 20/40
3	0408-2261	51104	Tip ø 1,0
	0408-2262	51105	Tip ø 1,2
	0408-2385	51118	Tip ø 1,6
4	0408-2267	60426	TN Protection nozzle guide
5	0408-2405	60427	TI Ceramic assembly with bosses
6	0408-2268	60428	TI Ceramic guide
7	0408-2053	51901	Spacer spring

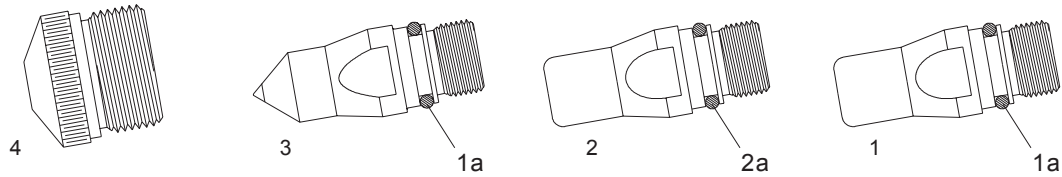
* CIRCLE CUTTING ATTACHMENT : See page # 71

SAF® - CPM-201 / CPM-601®
SAF® - CPM-200 / CPM-250 / CPM-300 / CPM-720®
FRO®



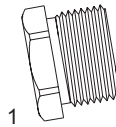
Item	Ref.	Code	Description	
1	0408-1482	52597	Flat Electrode H2 hafnium (XF)	
	0408-1482AG	52597AG	Flat Electrode H2 hafnium Solid Silver	
	0409-2074	52597W	Flat Electrode W2 Tungsten	
1a	0408-1283	20595.41	O-Ring ø 8 x 1.25 Nitrile	
2	0409-2095	52598	Flat Electrode H25 hafnium (XF)	
	0409-2095AG	52598AG	Flat Electrode H25 hafnium Solid Silver	
3	0409-2071	51603	Tip 30A, O2	
4	0409-2072	51604	Tip 60A, O2	
5	0409-2073	51605.13	Tip 90A, O2	
	0409-2076	51605.16	Tip 120A, O2	
	0409-1278	51605.18	Tip 150A, O2	
	0409-1279	51605.20	Tip 180A, O2	
		51605.22	Tip 240A, O2 (0409-1280 old style)	
		51605.25	Tip 250A, O2	
	6	0409-1350	51606.30	Tip 320A, N2
		0409-1351	51606.35	Tip 500A, N2
0409-1352		51606.40	Tip 640A, N2	

SAF® CPM 15
FRO®



Item	Ref.	Code	Description	
1	0409-1204	52592	Electrode, Air	
1a		20592.41	O-Ring Nitrile Black	
2	0409-1205	52593	Electrode, N ₂ (XF)	
2a		07100.47	O-Ring Silicone Red	
3	0409-1206	52594	Electrode, Ar/H	
4	0409-1210	51615.10	Tip 40A	W000325067
	0409-1212	51615.12	Tip 60A	W000325069
	0409-1216	51615.16	Tip 100A	W000325072
	0409-1218	51615.18	Tip 150A	W000325073

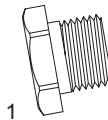
SAF® P30D® CPM-201 / CPM-601® / CPM-250 / CPM-300 / CPM-720®
FRO®



FOR USE WITH POINTED ELECTRODE

Item	Ref.	Code	Description	
1	0409-2091	51119.10	Tip ø 1,0 30A 16X1	
	0409-2092	51119.12	Tip ø 1,2 60A 16X1	
	0409-2093	51119.14	Tip ø 1,4 90A 16X1	
	0408-1055	51119.15	Tip ø 1,5	
	0409-2096	51119.16	Tip ø 1,6 120A 16X1	
	0408-1056	51119.18	Tip ø 1,8 150A 16X1	W000325022
	0408-1052	51119.20	Tip ø 2,0 180A 16X1	W000325019
	0408-1053	51119.25	Tip ø 2,5 200A 16X1	W000325020
	0408-1078	51119.27	Tip ø 2,7 250A 16X1	W000325024
	0408-1054	51119.30	Tip ø 3,0 320A 16X1	W000325021

SAF® CPM-200®
FRO®

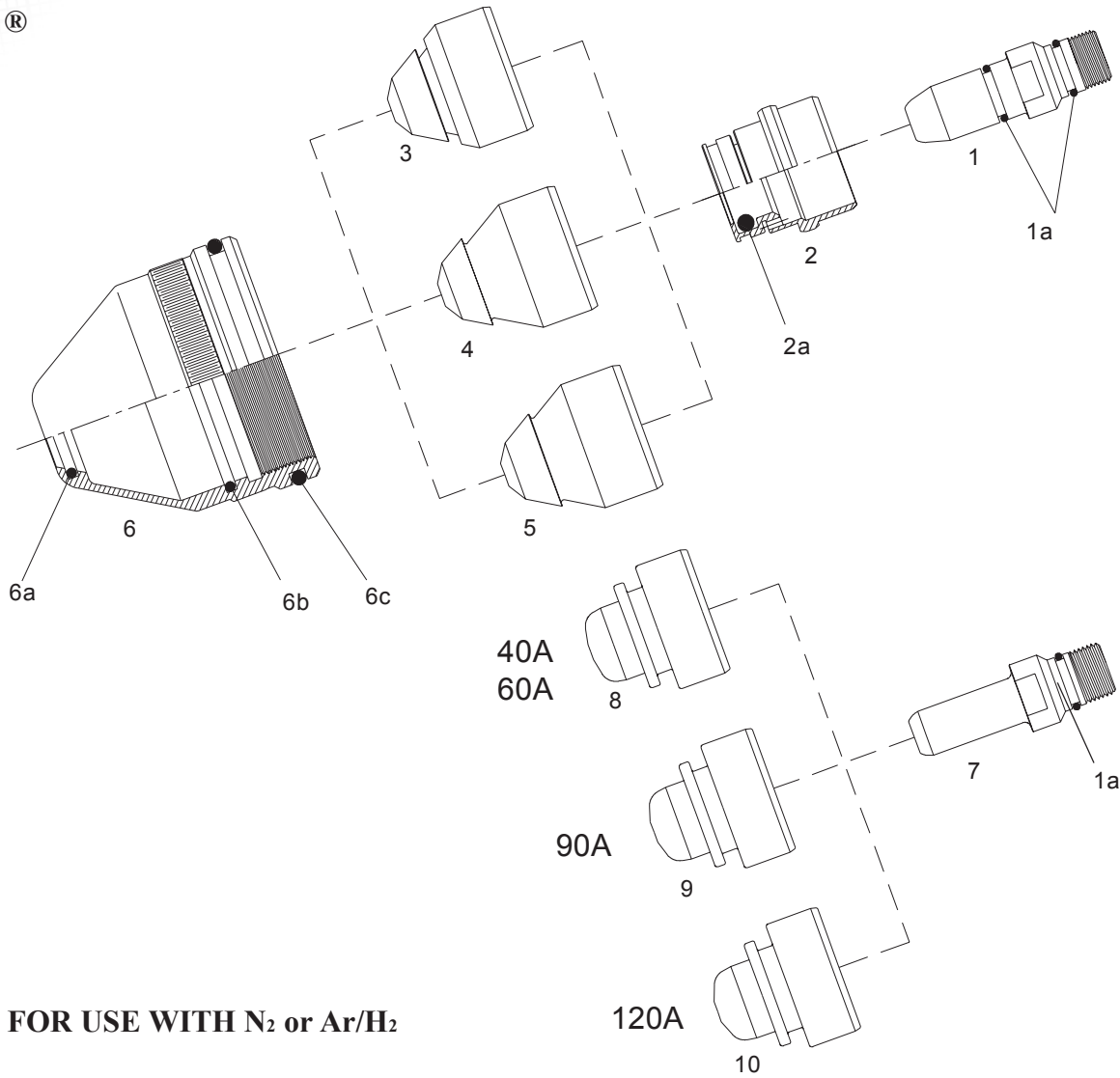


FOR USE WITH POINTED ELECTRODE

Item	Ref.	Code	Description	
1	0408-0915	51610.15	Tip ø 1,5	
	0408-0918	51610.18	Tip ø 1,8	
	0408-0920	51610.20	Tip ø 2,0	
	0408-0925	51610.25	Tip ø 2,5	
		51610.30	Tip ø 3,0	

SAF® - OCP-150®

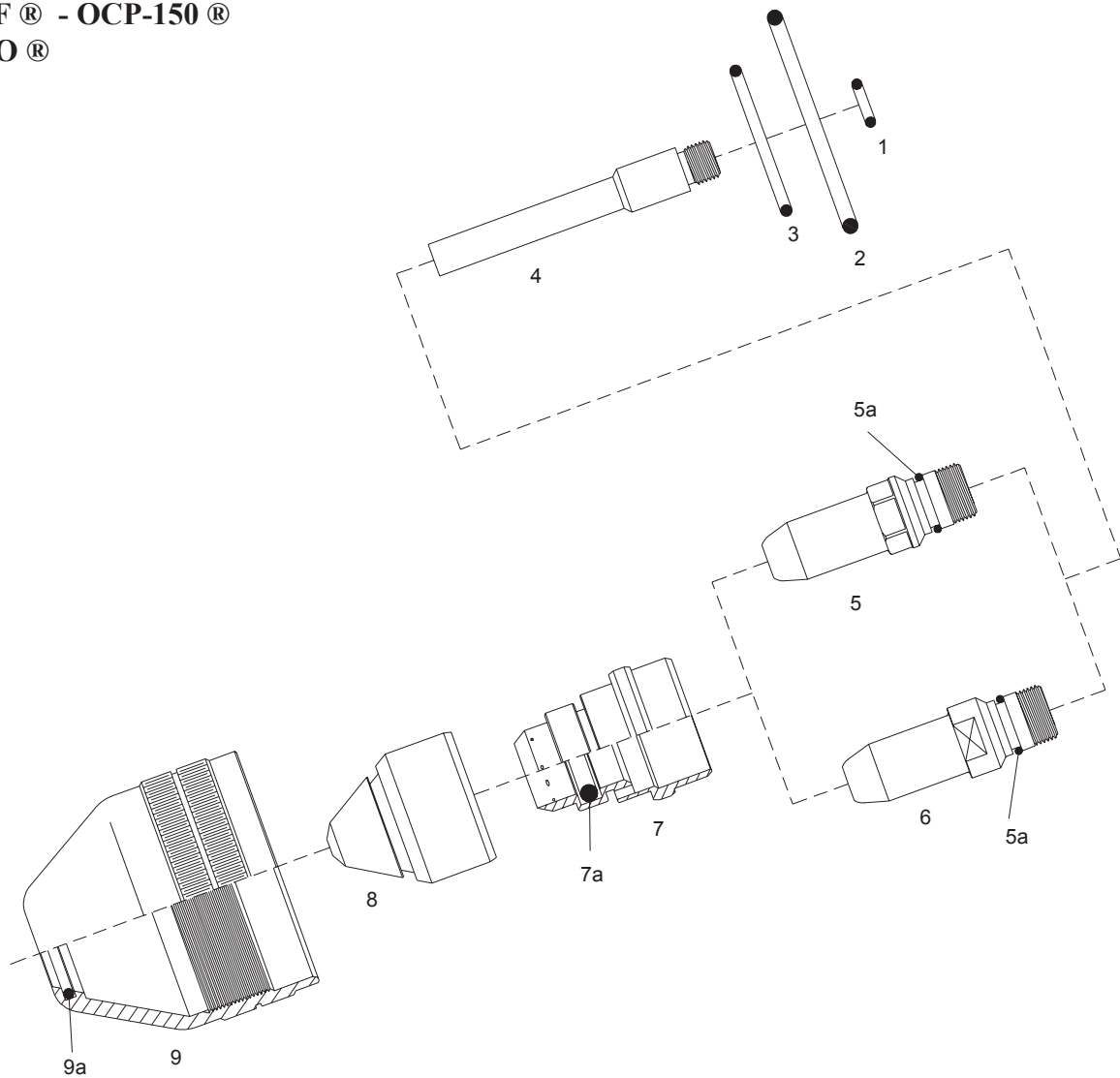
FRO®



FOR USE WITH N₂ or Ar/H₂

Item	Ref.	Code	Description	
1	0409-2194	52596W	Electrode (W15), N ₂ Ar/H ₂ (XF) (replaces 0409-2295 and 0409-2285)	W000325128
1a	0408-1283	20595.41	O-Ring ø 8 x 1.25 Nitrile	W000138099
2	0409-2209	60605	Diffusor (NL), N ₂ Ar/H ₂	W000138403
2a	0409-2168	60601.41	O-Ring ø 10 x 3 Silicone	W000138376
3	0409-2231	51700	Tip 15A, (N15), N ₂	W000325133
	0409-2233	51701	Tip 30A, (N30), N ₂	W000325134
	0409-2234	51702	Tip 40A, (N40), N ₂	W000325135
	0409-2236	51703	Tip 60A, (N60), N ₂	W000325136
4	0409-2239	51705	Tip 90A, (N90), N ₂	W000325137
	0409-2240	51706	Tip 120A, (N120), N ₂	W000325138
5	0409-2249	51708	Tip 90A, (A90), Ar/H ₂	W000325141
	0409-2250	51709	Tip 120A, (A120), Ar/H ₂	W000325142
6	0409-2210	60606	Nozzle retaining cap, N ₂ Ar/H ₂	W000138404
6a	0409-2187	60606.41	O-Ring ø 14 x 1.78 EPDM	W000138392
6b	0409-2188	60606.42	O-Ring ø 37.8 x 1.78 Nitrile	W000138393
6c	0409-2189	60606.43	O-Ring ø 42.5 x 2.62 Nitrile	W000138394
7	0409-2395	52589W	Electrode WT15	
8	0409-2414	51716	Tip 40A - T40 - INOX	W000325149
	0409-2416	51717	Tip 60A - T60 - INOX	W000325151
9	0409-2419	51718	Tip 90A - T90 - INOX	W000325152
10	0409-2420	51719	Tip 120A - T120 - INOX	W000325153

SAF® - OCP-150®
FRO®



FOR USE WITH O₂

Item	Ref.	Code	Description	
1	0408-1238	60600.44	O-Ring ø 5.28 x 1.78 Nitrile	
2	0408-1282	60600.43	O-Ring ø 36.17 x 2.62 Nitrile	
3	0408-1284	60600.42	O-Ring ø 24 x 2 Nitrile	
4	0409-2154	60602	Diffusor	W000138366
5	0409-2184	52595	Electrode	
5a	0408-1283	20595.41	O-Ring ø 8 x 1.25 Nitrile	W000138099
6	0409-2185	52596	Electrode - HX5 (XF) (replaces 0409-2195)	W000325565
	0409-2185	52596AG	Electrode - HX5 - Solid Silver	
7	0409-2170	60601	Swirl ring OCP VD6, 60A,	W000138378
	0409-2169	60603	Swirl ring OCP VD15, 120A,	W000138377
7a	0409-2168	60601.41	O-Ring ø 10 x 3 Silicone	W000138376
8	0409-2171	51601.05	Tip 15A,	W000325562
	0409-2173	51600.07	Tip 30A,	W000325563
	0409-2174	51600.08	Tip 40A,	W000325564
	0409-2176	51600.10	Tip 60A,	W000325124
	0409-2183	51600.13	Tip 90A,	W000325125
	0409-2186	51600.16	Tip 120A,	W000325126
9	0409-2166	60600	Nozzle retaining cap	W000138374
9a	0409-2167	60600.41	O-Ring ø 15 x 1.78 EPDM	W000138375